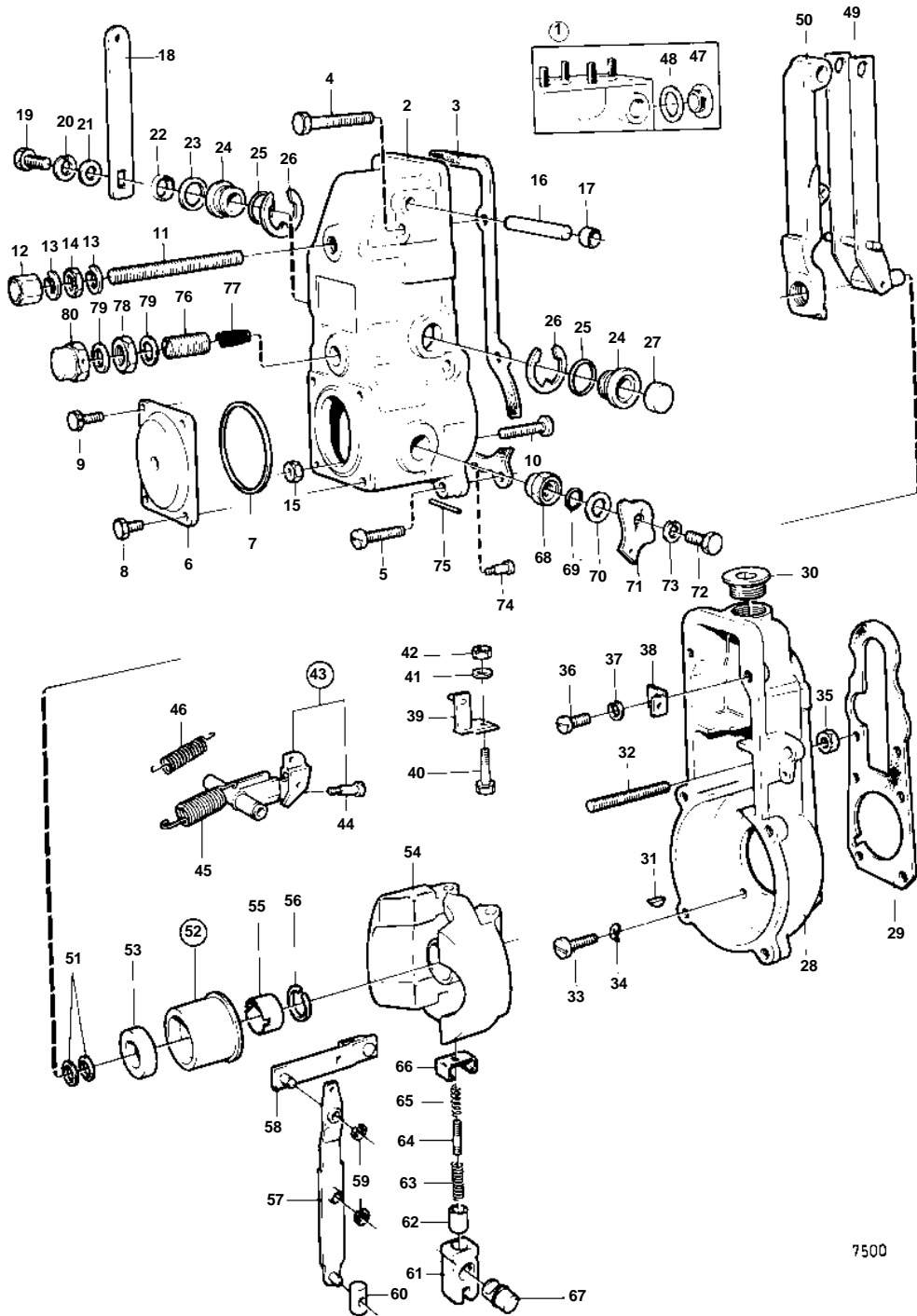


TMD102A



7500

## TMD102A

REF	PART NO.	QTY	DESCRIPTION	NOTES
1		1	Governor	
2		1	· Cover	Replaced by 1 ea cover 243775, 1 ea gasket 11996 and 1 ea pin 240391.
3	11992560	1	· Gasket	
4	940101	2	· Screw	
5	955274	4	· Screw	
6		1	· Cover	
7	240394	1	· O-ring	
8	955268	2	· Screw	L=10mm
9	845229	2	· Screw	
10		1	· Screw	
11		1	· Idle screw	
12		1	· Nut	
13	190990	2	· Gasket	
14	940197	1	· Nut	
15	940197	1	· Nut	
16	239017	1	· Shaft	
17	240374	2	· Plug	
18	239039	1	· Arm	
19	955271	1	· Screw	
20	941906	1	· Spring washer	
21	955892	1	· Washer	
22		X	· Shim	TH = 0,30mm
	233994	X	· Shim	TH = 0,50mm
	238132	X	· Shim	TH = 1,00mm
23	864476	1	· O-ring	
24		2	· Bushing	
25	864475	2	· O-ring	
26	942796	2	· Retaining ring	
27		1	· Cover	
28		1	· Regulator housing	
29	1698168	1	· Gasket	(240058)
30		1	· Plug	
31		1	· Key	
32		1	· Screw	
33	956095	4	· Screw	
34	941906	4	· Spring washer	
35	940197	1	· Nut	
36	956097	4	· Screw	
37	941906	4	· Spring washer	
38		1	· Bracket	
39		1	· Companion flange	
40	956075	1	· Screw	
41	941905	1	· Spring washer	
42	955780	1	· Nut	
43		1	· Control arm	
44		1	· Screw	
45	239040	1	· Spring	
46	845009	1	· Spring	
47		1	· Protecting casing	
48	240017	1	· Gasket	
49		1	· Arm	
50		1	· Arm	
51		X	· Washer	TH=0,20mm
		X	· Washer	TH=0,40mm
		X	· Washer	TH = 1,00mm
52		1	· Control sleeve	
53		1	· Ball bearing	
54	848220	1	· Regulator weight	
55		1	· Nut	
56		1	· Washer	
57		1	· Lever	
58		1	· Lever	
59	951667	2	· Lock ring	

TMD102A

REF	PART NO.	QTY	DESCRIPTION	NOTES
60		1	• Cube	
61		1	• Lever	
62		1	• Sleeve	
63		1	• Spring	
64		1	• Spring	
65		1	• Spring	
66		1	• Brace	
67		1	• Nut	
68		1	• Bushing	
69	862814	1	• O-ring	
70		1	• Shim	
71		1	• Lever	
72	955271	1	• Screw	
73	941906	1	• Spring washer	
74		1	• Pin	
75		1	• Pin	
76		1	• Screw	
77		1	• Spring	
78		1	• Nut	
79	18839	2	• Gasket	
80		1	• Nut	